



Project Name: _____
 Model Number: _____
 Type: _____

DLC Series

LED 2.5" CYLINDER SYSTEM

DESCRIPTION

Built out of high quality metal. This fixture is not only bright, but attractive.

Our Modular Cylinder series enables you to choose the look you want in an easy to install, energy efficient package



SPECIFICATION FEATURES

Construction: 0.5mm thickness metal with powder coating. 2.6mm thickness LED Frosted PC material. Airtight enclosure

Field Adjustable: Color temperature (2700K/ 3000K /3500K /4000K /5000K) can be field adjusted via small dip switches on the inside of the housing. Interchangeable beam angle available.

Qualifications: ETL, T24, Energy Star, Wet Location. IC Rated

Electrical: 120-277v 50/60 hz input. Triac Dimming Standard. 0-10v dimming optional. Dims down to 5 percent

Optional: Remote Emergency battery available

ORDERING MATRIX

| SERIES | SIZE | BEAM ANGLE | DIMMING | FINISH |
|--------|----------------------|--------------|-----------------------------|-------------------------|
| DLC | WATTAGE LUMEN | | BLANK- Triac Dimming | WH- White Finish |
| | 2 | 10 650 | | |
| | 3 | 15 1000 | | |
| | 4 | 20 1800 | | |

ACCESSORIES ORDERED SEPARATELY

DLC-W1-WH/BK
Single head wall sconce mount

DLC-FM-WH/BK
Flush mount adapter

DLC-EX-WH/BK
Cylinder Extender

DLC-SN1-WH/BK
Extension Snoot

DLC-W2-WH/BK
Double head wall sconce mount

DLC-BEAM-15/36/60 Field Replaceable Beam Angle

DLC-RM-WH/BK
Recessed mount

DLC-SN2-WH/BK
Wall Wash Snoot

DLC-RP-WH/BK
Pendant Recessed mount

DLC-TC-WH/BK
H-Track adapter

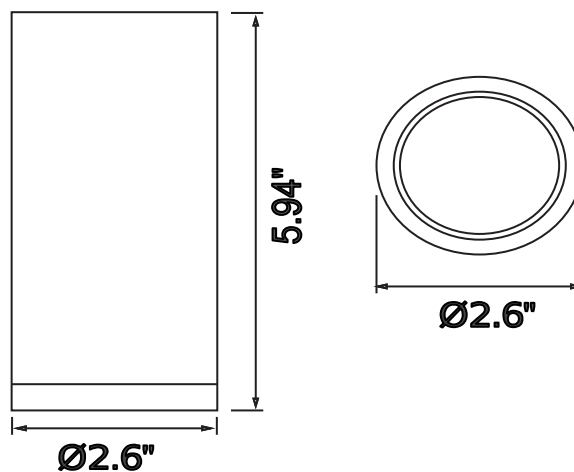
DLC-MP-WH/BK
Surface mount adjustable bracket



DLC Series
LED 2.5" CYLINDER SYSTEM
PERFORMANCE DETAILS

| | |
|----------------------|---|
| Materials | 0.5mm thickness metal with powder coating. 2.6mm thickness LED Frosted PC material. |
| Dimensions | As per Below Chart |
| Input Voltage | 120v-277v |
| Wattage | 8 / 10 / 15 |
| Lumens | Field Selectable |
| Finish | White and Black Standard, Custom Finish available |

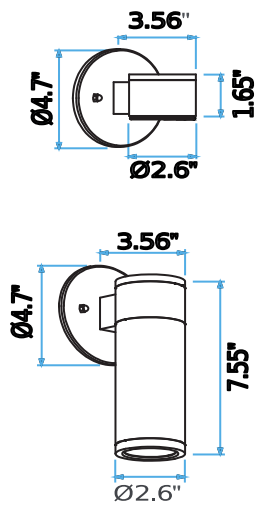
| | |
|------------------------------|---|
| CRI | 90 |
| Mounting | As on next page |
| Operating temperature | -20°F to 100°F |
| Color Temperature | 2700K/ 3000K /3500K /4000K /5000K Field Selectable Available |
| Dimming capability | Triac Standard, 0-10 volt Optional |
| Certifications | ETL, T24, Energy Star, Damp Location |
| Beam Angle | 15/36/60 degree options available |

LINE DRAWING


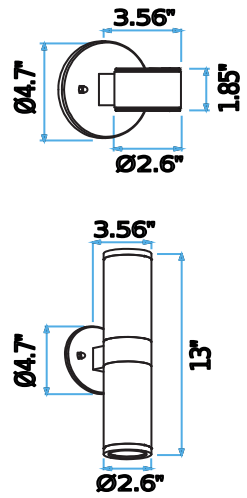
DLC Series

LED 2.5" CYLINDER SYSTEM

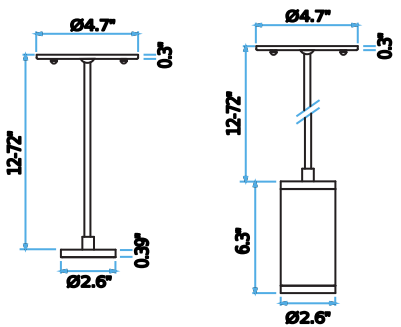
DLC-W1-WH/BK



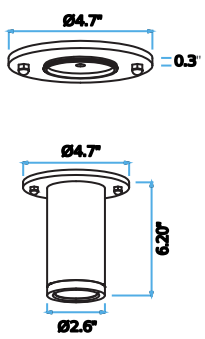
DLC-W2-WH/BK



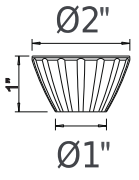
DLC-RP-WH/BK



DLC-FM-WH/BK



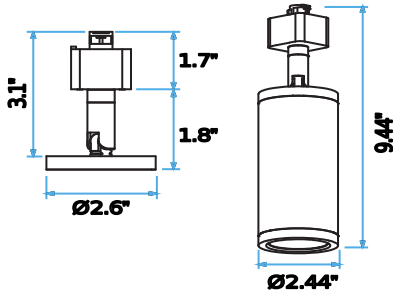
DLC-BEAM-15/36/60



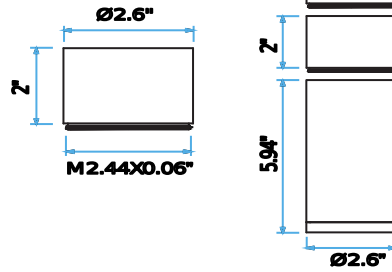
DLC Series

LED 2.5" CYLINDER SYSTEM

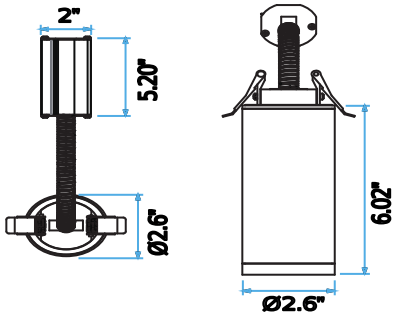
DLC-TC-WH/BK



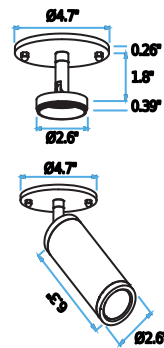
DLC-EX-WH/BK



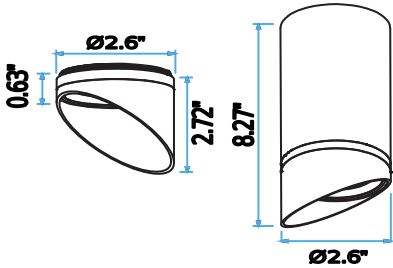
DLC-RM-WH/BK



DLC-MP-WH/BK



DLC-SN2-WH/BK



DLC-SN1-WH/BK

