

Description

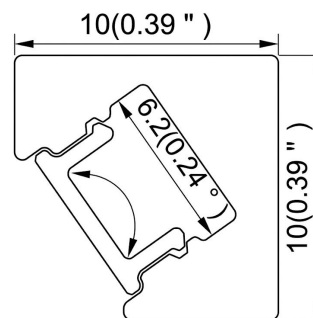
Have you ever wanted your architectural lighting to disappear completely until the exact moment you turn it on? Meet our Tini LED fixture: at under half an inch square, it perfectly and discreetly integrates into custom millwork, floating shelves, and fine cabinetry. Despite its microscopic footprint, it delivers a powerful, flawlessly diffused wash of light without any harsh diode hotspots. Furthermore, the edge-to-edge lens means there is no visible metal trim along the sides, leaving you with nothing but a pure, modern line of illumination. I'd love to send you a physical sample so you can see exactly how easily this tiny fixture can elevate your next design.

Technical Specification

Input Voltage	24
CRI	90
Beam Angle	120
Max Run	16 ft
Lumen Per Watt	28
Lumens Per Foot	259
Cut Size	1.97 Inch
Warranty	5 Years
Watt per Foot	3
Certifications	UL



Line Drawing



Ordering Matrix

MODEL	CCT	IP RATING	LENGTH	CONNECTOR		
DLDT - TINI-CR	<input type="checkbox"/>	20 IP20	<input type="checkbox"/> CUSTOM LENGTH	<input type="checkbox"/> BW6 - Bare Wire 6 inch BW__ - Bare Wire Custom Length BRL - Barrel Connector 6 inch wire CLIPS NONE		
					2200K	212
					2400k	228
					2700K	246
					3000K	259
					3500K	267
					4000K	275
					5000K	285

Temperature Details

	Min	Max
Ambient Operating Temp	-4 F	130 F
Storage Temp	-4 F	140 F
Installation Temp	50 F	100 F

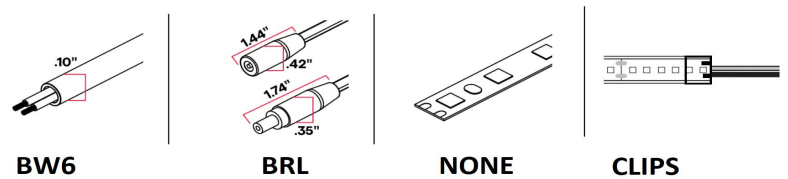
Technical Specification

Materials	Plastic
LED Chip	SMD2110
Mounting	In Channel
Color Temperature	22K through 60K
Dimming capability	Per Driver

IP Rating Options



Connection Options



- BW6-6" inch standard soldering leads
- BRL - Barrel Connector
- NONE - Tape light provided with no connector
- CLIPS - Clips provided for field cut and field installed connector

Drivers



NON DIMMING
IP20



UNIVERSAL
DIMMING IP20



UNIVERSAL
DIMMING IP67

Tapelight Line Drawing

