



Project Name: _____
 Model Number: _____
 Type: _____

DLDT Series

FLEX TOP LED TAPE

DESCRIPTION

The Flex Light series is the ideal solutions in spaces where the light will be in direct view. As the name implies, FLEX Lights can be easily molded into different curvatures due to their flexible composition. The enclosure and lens allow for a perfect monochromatic light source without hot spots.



ORDERING MATRIX

DLDT	STYLE	CCT	IP - LUMENS /FT		LENGTH	CONNECTION (REQUIRED IF CUSTOM LENGTH)
DLDT	FLEX-TOP Voltage: 24vdc Wattage:4.4W/ft	2700K	20	67	16 - 16 FEET	WASIO- WRAP AROUND SIDE OUT
			395	356	CUSTOM LENGTH	WASO - WRAP AROUND STRAIGHT OUT
			416	374		WABO- WRAP AROUND BACK OUT
			428	386		WAEC- WRAP AROUND END CAP
			441	397		ESE- EDGELESS SIDE OUT
			458	412		ESO- EDGELESS STRAIGHT OUT
3000K			EBO- EDGELESS BACK OUT			
3500K			ECC- EDGELESS END CAP			
4000K						
5000K						

DLDT	STYLE	MOUNTING	LENGTH
DLDT	FLEX-TOP	ST - STRAIGHT CHANNEL	16 - 16 FEET
		FC- FLEX CHANNEL	CUSTOM LENGTH
		MC- MOUNTING CLIPS	



DLDT Series

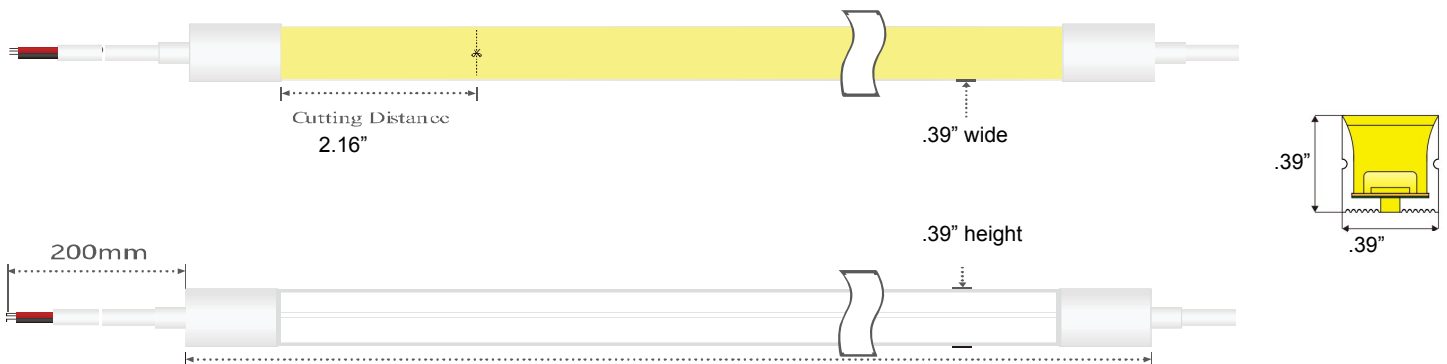
FLEX TOP LED TAPE

PERFORMANCE DETAILS

Materials	Plastic
Dimensions	.39" wide
Input Voltage	24
Wattage Per Foot	4.4
Lumens Per Foot	416
LED Chip	2835
Maximum Ben Radius	3.9 inch

CRI	90
Mounting	In channel
Operating temperature	0-100F
Color Temperature	Ranges from 27k to 50k
Dimming capability	Per Driver
Certifications	UL
Beam Angle	160
Max Run	30 feet
Lumen per Watt	95
Cut Size	2.16 inch

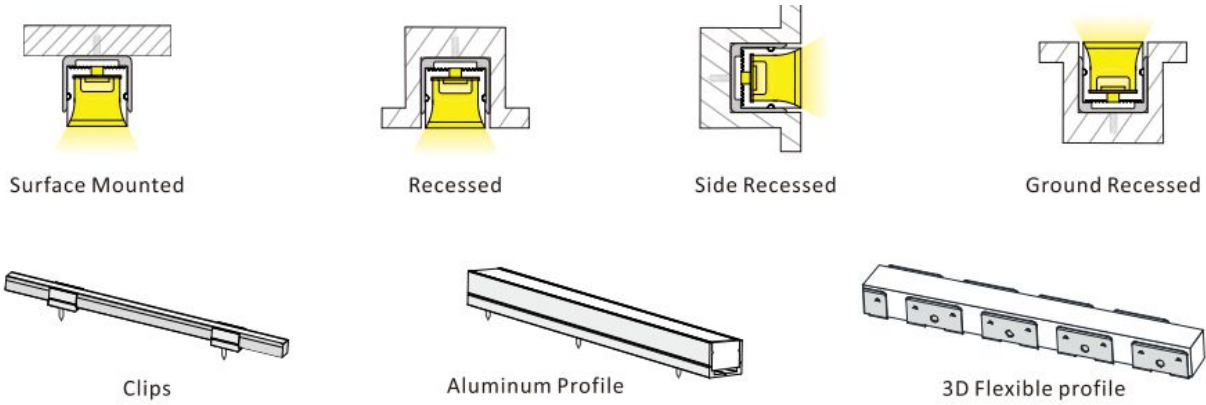
LINE DRAWINGS



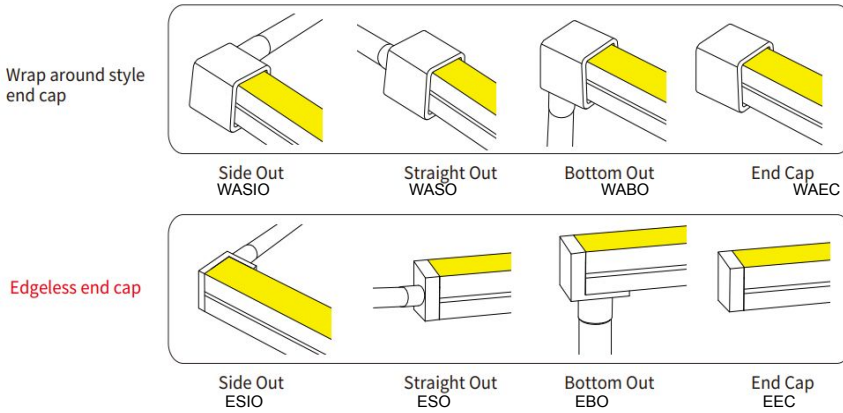
DLDT Series

FLEX TOP LED TAPE

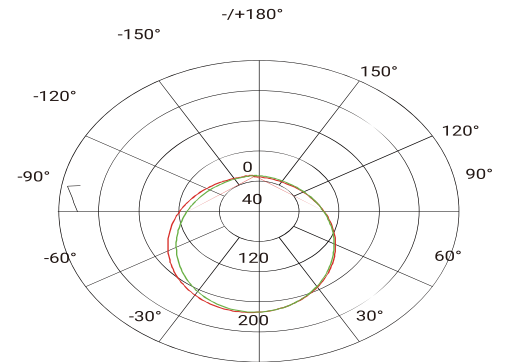
MOUNTING OPTIONS



CONNECTION OPTIONS



LIGHT DISTRIBUTION CURVE



LOW VOLT TRANSFORMERS



NON DIMMING
IP20



UNIVERSAL
DIMMING IP20



UNIVERSAL
DIMMING IP67

