

DLDT Series
FLEX SIDE LED TAPE
DESCRIPTION

The Flex Light series is the ideal solutions in spaces where the light will be in direct view. As the name implies, FLEX Lights can be easily molded into different curvatures due to their flexible composition. The enclosure and lens allow for a perfect monochromatic light source without hot spots.


ORDERING MATRIX

DLDT	STYLE	CCT	IP - LUMENS /FT		LENGTH	CONNECTION (REQUIRED IF CUSTOM LENGTH)
DLDT	FLEX-SIDE Voltage: 24vdc Wattage:4.0W/ft	2700K	20	67	16 - 16 FEET	WASIO- WRAP AROUND SIDE OUT
			137	123	CUSTOM LENGTH	WASO - WRAP AROUND STRAIGHT OUT
			140	126		WABO- WRAP AROUND BACK OUT
			150	135		WAEC- WRAP AROUND END CAP
			160	144		ESE- EDGELESS SIDE OUT
			170	153		ESO- EDGELESS STRAIGHT OUT
					EBO- EDGELESS BACK OUT	
					ECC- EDGELESS END CAP	

DLDT	STYLE	MOUNTING	LENGTH
DLDT	FLEX-SIDE	ST - STRAIGHT CHANNEL	16 - 16 FEET
		FC- FLEX CHANNEL	CUSTOM LENGTH
		MC- MOUNTING CLIPS	

DLDT Series

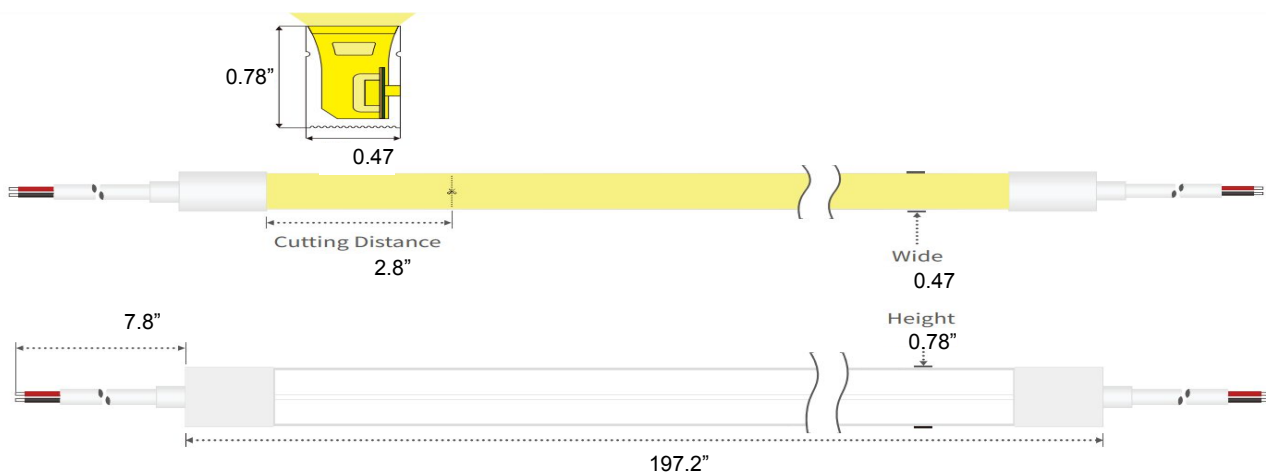
FLEX SIDE LED TAPE

PERFORMANCE DETAILS

Materials	Plastic
Dimensions	12mm wide
Input Voltage	24
Wattage Per Foot	4
Lumens Per Foot	318
LED Chip	2835
Maximum Ben Radius	3.9 inch

CRI	90
Mounting	In channel
Operating temperature	0-100F
Color Temperature	Ranges from 27k to 50k
Dimming capability	Per Driver
Certifications	UL
Beam Angle	160
Max Run	36 feet
Lumen per Watt	40
Cut Size	1.9 inch

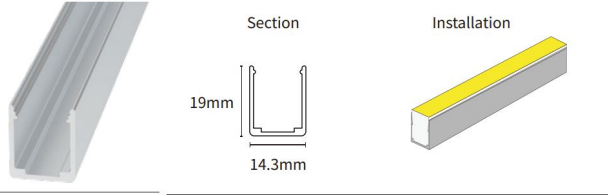
LINE DRAWINGS



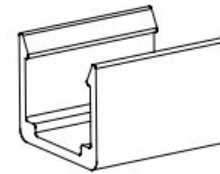
DLDT Series

FLEX SIDE LED TAPE

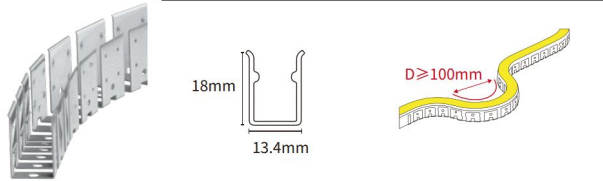
MOUNTING OPTIONS



ST - STRAIGHT CHANNEL

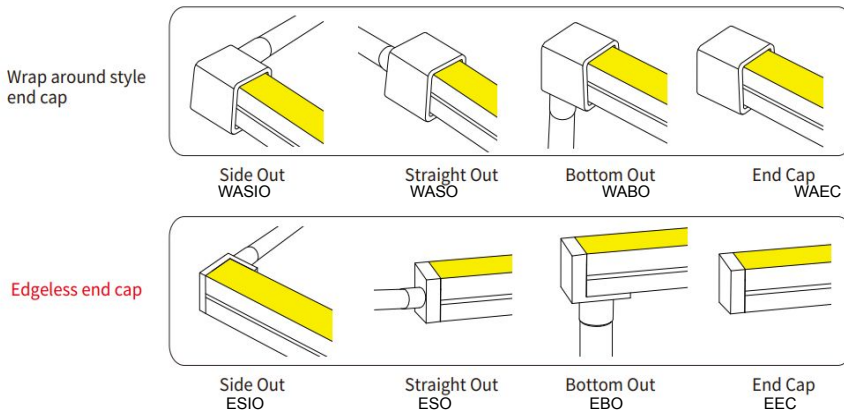


MC- MOUNTING CLIPS

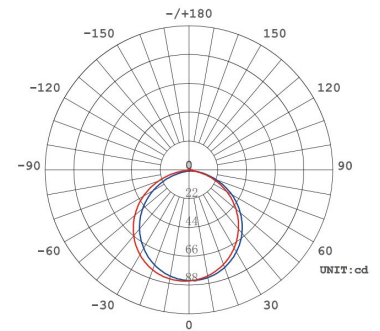


FC- FLEX CHANNEL

CONNECTION OPTIONS



LIGHT DISTRIBUTION CURVE



LOW VOLT TRANSFORMERS



NON DIMMING IP20



UNIVERSAL DIMMING IP20



UNIVERSAL DIMMING IP67