

## BEFORE YOU BEGIN

### WARNING

Make sure power is **OFF** at the electrical panel before starting installation or any maintenance. Indoor installation only unless otherwise noted.

### SAFETY

This fixture must be wired in accordance with local electrical codes and ordinances. All work should be done by a qualified electrician.

### NOTE

Read all instructions before installing. Keep this sheet for future reference.

## TOOLS REQUIRED

Saw · measuring tape · electrical wiring suitable for the application · wire nuts · screwdriver.

## CUT-HOLE DIMENSIONS

TRIM	TYPE	CUT-OUT
DLT-4-WRS	White round, standard	Ø 95 mm
DLT-4-WSS	White square, standard	95 × 95 mm
DLT-4-TLR	Trimless round	Ø 95 mm
DLT-4-TLS	Trimless square	108 × 108 mm

## PRE-INSTALLATION

- 01 Turn power **OFF** at the electrical panel.
- 02 Locate a suitable position and cut the ceiling to the appropriate cut-out size (see table above).
- 03 Run electrical wire from the switch (power supply) through the mounting hole.
- 04 For Trimless Flange installation, align the inside edge of the trimless flange (zero clearance plaster frame to drywall hole) and screw. (FIG. 1) (FIG. 2)

## DRIVER WIRING

- 01 Open the hardwire box swing cover and remove the appropriate knockout(s).
- 02 Insert the electrical supply cable through the knockout and secure with a cable connector.
- 03 Using wire nuts, connect green ground wire of cable to green wire on box, black wire of cable to black wire on box, and white wire of cable to white wire on box. (FIG. 3)
- 04 Place all wiring and connections back into the box and close the cover.

**05** Insert hardwire box through the mounting hole. (FIG. 4)

### FIXTURE INSTALLATION — STANDARD TRIM

**01** Mount the appropriate trim (Round or Square) onto the module. (FIG. 5)

**02** Select CCT

**03** Hold back springs and raise into the ceiling to install

### FIXTURE INSTALLATION — TRIMLESS FLANGE

**01** Use pliers to remove the spring on the side of the LED module.

**02** Mud the flange into the ceiling.

**03** Select CCT

**04** Raise module and twist into ceiling

### FIGURES

Click a slot to make it active, then **paste** (⌘V / Ctrl+V) your screenshot. You can also drag a file onto any slot.

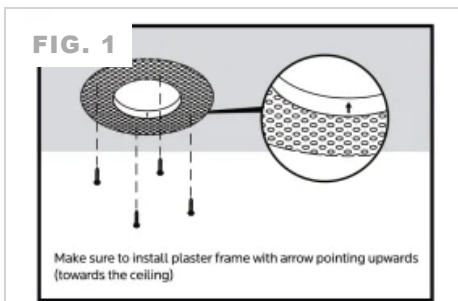


Fig. 1 · Standard plaster frame in ceiling cut-out

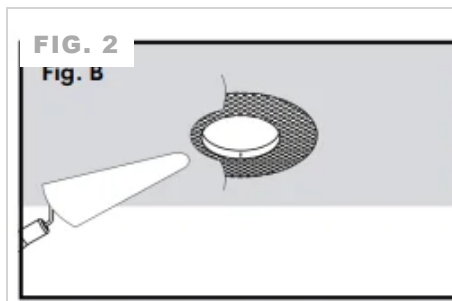


Fig. 2 · Trimless flange installation

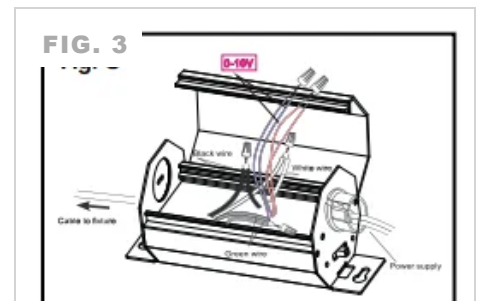


Fig. 3 · Hardwire box wiring detail

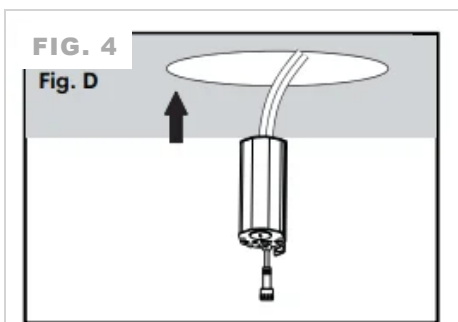


Fig. 4 · Hardwire box through ceiling

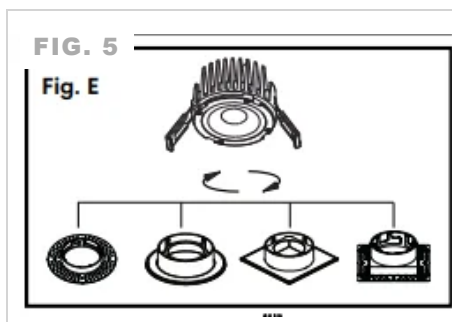


Fig. 5 · Trim mount on module

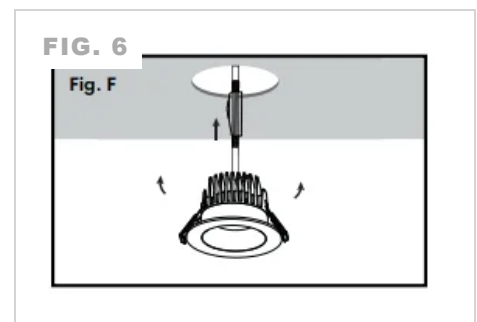


Fig. 6 · Quick-connect & CCT switch