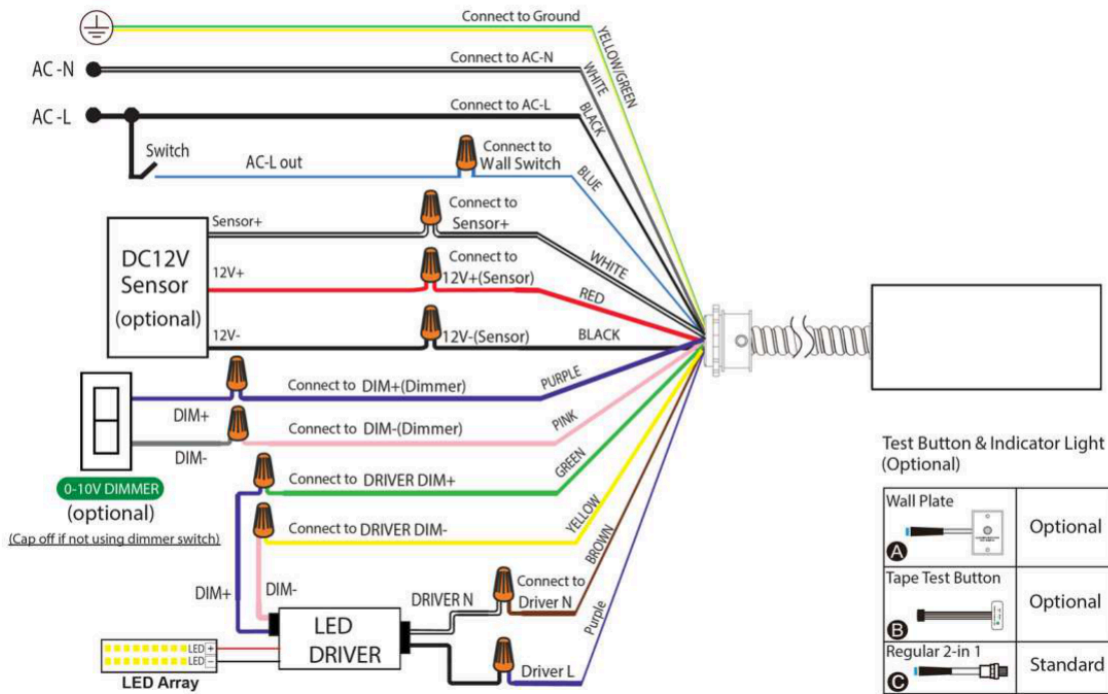


WIRING DIAGRAM



IMPORTANT

Emergency Driver Dim+ (Green), Driver Dim- (Yellow) has to connect with LED driver DIM+ and DIM-
Will NOT operate if not connected



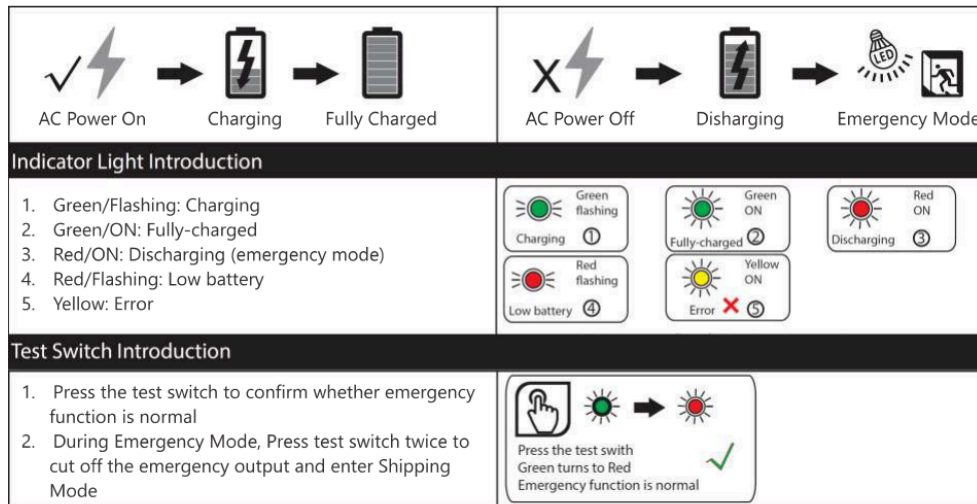
Note: For 277-480VAC 0-10V dimmable LED FIXTURES with an input power less than 300W

OPERATION

AC Operation: AC power is present. The AC driver operates the LED load as designed. The emergency driver is charging in a standby mode. The green indicator light flashes shows that the battery is charging. The green indicator light becomes stable shows that the battery is fully charged.

Emergency Operation: When the AC power goes out, the emergency driver detects the AC power outage and automatically switch to the working emergency mode. The red indicator light on indicates that it is discharging, the red indicator light flashes to indicate low battery power. The red indicator light off indicates that the discharge is complete. When the AC power is restored, The emergency driver backs to AC power working and starts recharging.

Malfunction Operation: When the emergency LED driver fault, the yellow indicator light on



IMPORTANT SAFEGUARDS PLEASE READ AND FOLLOW ALL SAFETY INSTRUCTIONS

CAUTION: RISK OF FIRE OR ELECTRIC SHOCK - This emergency battery pack installation requires knowledge of luminaire and electrical systems.

CAUTION: RISK OF SHOCK - disconnect emergency and normal input power sources before servicing any equipment connected to this unit.

WARNING: Before installing, make sure the AC Power to the fixture is Off to avoid electric shock.

IMPORTANT: An unswitched AC power source is required (277-480 VAC, 50/60 Hz). This device is designed for fixtures listed for dry and damp locations.

IMPORTANT: Customers are advised to charge emergency LED driver 24 hours every 6 months during storage to prevent over discharge.

CAUTION: Make sure all electrical connections conform to the National Electrical Code and all applicable local regulations.

CAUTION: This is a sealed unit. Components are not replaceable. Replace the entire LED Emergency Backup unit when necessary.

CAUTION: Servicing of this equipment should be performed by qualified personnel only.

CAUTION: The use of accessory equipment is not recommended by the manufacturer and may cause an unsafe condition.

CAUTION: Use with grounded, UL Listed, dry or damp location rated fixtures. Case should also be grounded.

CAUTION: Battery is rechargeable Li-ion type and must be recycled or disposed of properly.

CAUTION: Suitable for use in +32°F to +122°F (0°C to +50°C) ambient temperatures.

CAUTION: This product is for use in indoor fixtures only. Do NOT use near heated air handling outlets or hazardous locations.

Do not let power supply cords touch hot surfaces. Do not mount near gas or electric heaters. Do not use this equipment for other than its intended use. Failure to follow this may cause an unsafe condition and will void warranty. Servicing of this equipment should be performed by qualified personnel only.